

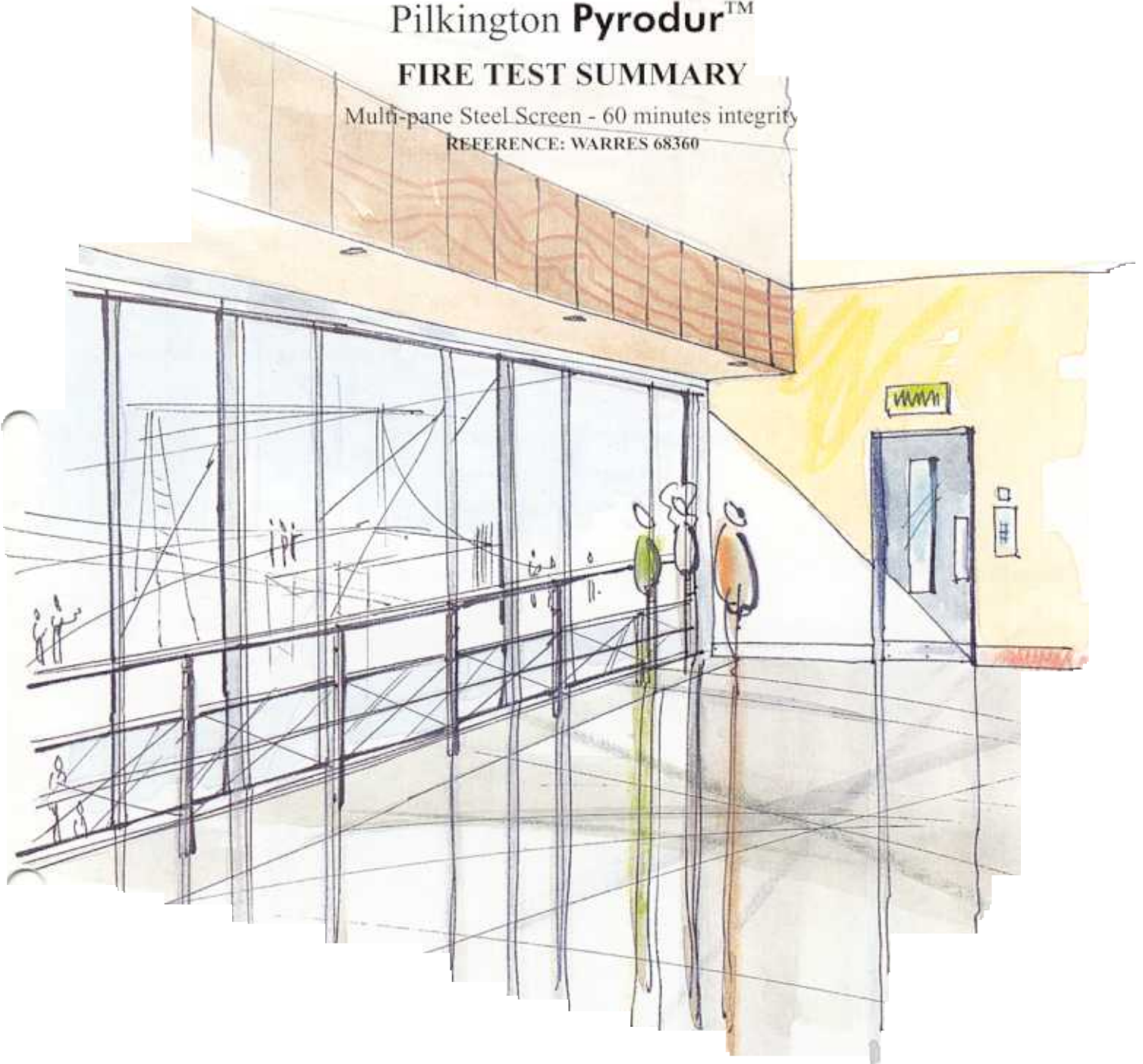


Pilkington Pyrodur™

FIRE TEST SUMMARY

Multi-pane Steel Screen - 60 minutes integrity

REFERENCE: WARRES 68360



PILKINGTON

Pilkington Pyrodur™ in Multi-pane Timber Screen

60 minutes integrity

A clear fire resistant glass providing integrity and partial insulation with impact safety for doors and screens.

TEST REFERENCE:
WARRES 68360

TEST STATION:
Warrington Fire Research Centre

DATE:
18th September 1996

TEST SPONSOR:
Pilkington United Kingdom Limited

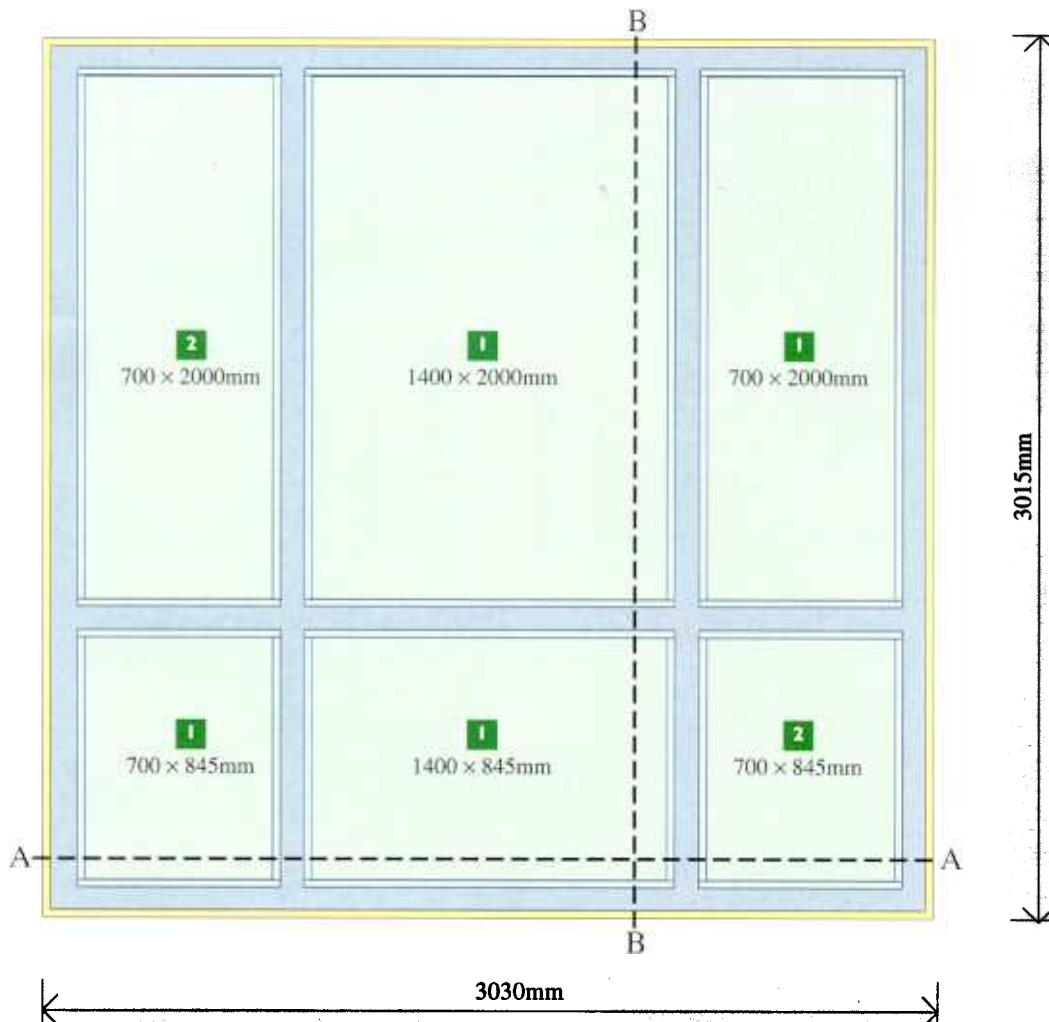
TEST STANDARD:
BS 476: Part 22: 1987

GENERAL DESCRIPTION OF THE ASSEMBLY

- 13mm Pilkington Pyrodur
- Mild steel framework
- Mild steel glazing beads on exposed face
- Glass bedded using ceramic fibre tape

Elevation

Frame supplied and fixed by T & WIDE FIRE PRODUCTS LIMITED

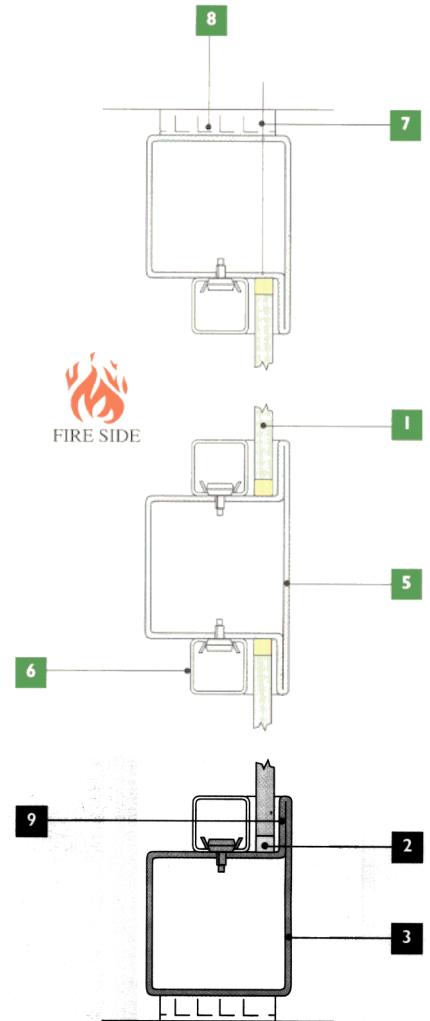


Glass dimensions are actual sizes

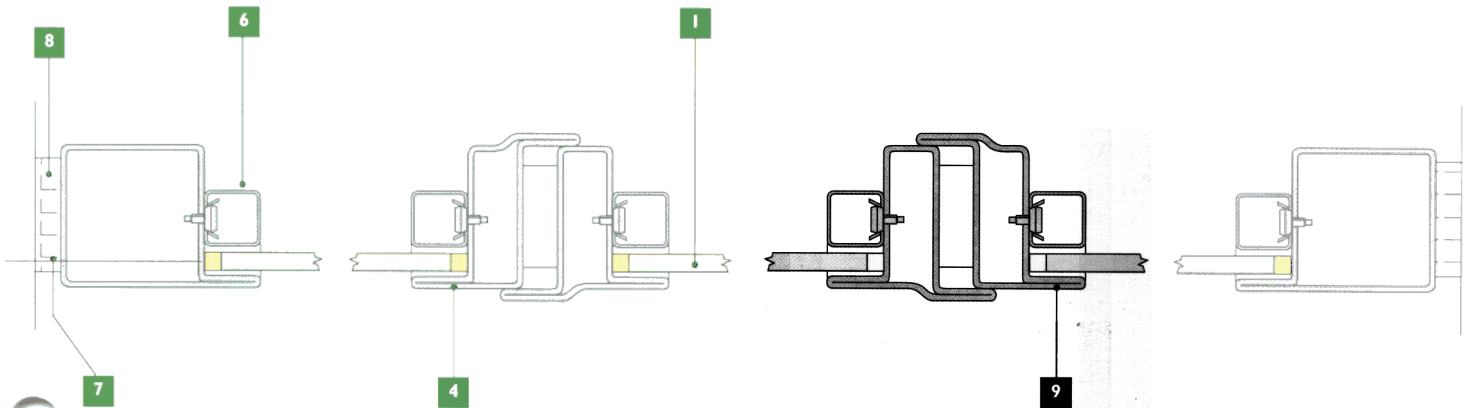
Key to figures

- 1** 13mm Pilkington **Pyrodur**
- 2** 5mm hardwood setting block
- 3** 70 × 50 × 1.5mm mild steel tubular frame section, with 20mm wide lip
- 4** 60 × 50 × 1.5mm mild steel tubular section, with 20mm wide flanges
- 5** 90 × 50 × 1.5mm mild steel tubular post section, with 20mm wide flanges
- 6** 20 × 20 × 1.5mm mild steel glazing beads
- 7** FISCHER countersunk head anchor bolt fixings at nominal 400mm centres
- 8** ROCKWOOL LTD. mineral fibre insulation packing
- 9** 15 × 3mm CARBORUNDUM RESISTANT MATERIALS LTD. Fibrefax glazing tape

Section B -- B



Section A -- A



Scope

The results of this test relate only to the behaviour of the specimen of the element of construction under the particular conditions of the test. They are not intended to be the sole criteria for assessing the potential fire performance of the element in use nor do they reflect the actual behaviour in fires.

13mm Pilkington **Pyrodur** is classified as a Class A safety glass according to the impact performance requirements of BS 6206: 1981, and has been tested extensively in accordance with the fire test requirements of BS 476: Part 22: 1987.

This publication gives a general description of the product and materials. It is the responsibility of the user to ensure that their use is appropriate for any particular application and that such application complies with all relevant local and national legislation, standards, codes of practice and other requirements.

Pilkington United Kingdom Limited hereby disclaim all liability howsoever arising from any error in or omission from this publication and for all consequences of relying on it.

Pilkington **Pyrodur**[™] is a trade mark of the Pilkington Group.

For technical advice please contact the numbers below.



PILKINGTON

Pilkington United Kingdom Limited
Prescot Road St Helens England WA10 3TT
Telephone 01744 69 2000 Fax 01744 613049